



Key Features

- Wind Speed & Direction
- Temperature
- Humidity
- Barometric Pressure
- Dew Point
- 2 Analogue Inputs
- Pt100 Input
- Digital Input (tipping bucket rain gauge)

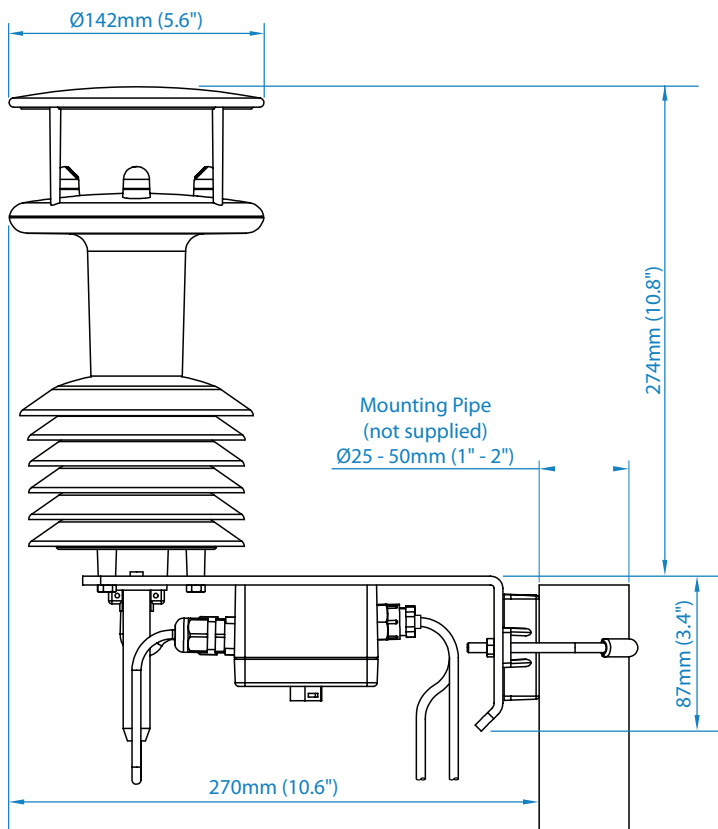


MetPak Pro is a precision weather station, capable of monitoring the most essential weather parameters with the additional ability to connect up to four external measurement devices.

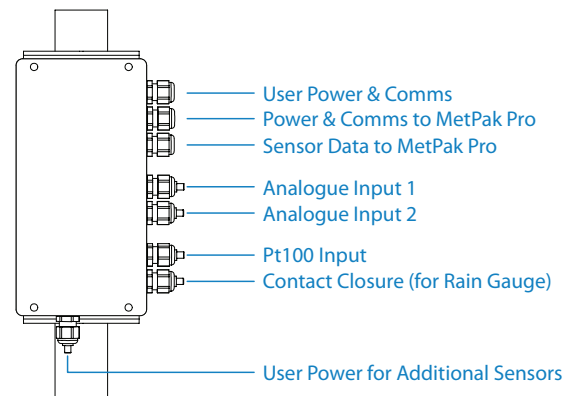
The system combines a WindSonic ultrasonic wind speed and direction sensor, a barometric pressure sensor and Rotronic Hygroclip temperature/humidity probe. The external junction box allows for connection of up to four additional sensors: a Pt100 temperature sensor, contact closure rain gauge and two analogue sensors (water level sensor, pyranometer, pressure sensor, soil temperature sensor etc).

Installation is simple using the rugged U-bolt mounting clamp, suitable for attachment to any vertical pipe from 25mm to 50mm diameter.

MetPak Pro



MetPak Pro Junction Box



Optional Accessories

- USB Configuration Cable
- Power & Data Cable (15m)
- MetView Display Software
- MetSet Configuration Software
- MetPak Pro Junction Box
- MetPak Pro Junction Box PCB
- MetPak Pro Junction Box Mounting Bracket

Weather Station

Wind Measurement

| | |
|------------------|---|
| Parameters | Wind speed & direction or U & V (Vectors) |
| Units of measure | m/s, knots, mph, kph, ft/min |

| | Wind Speed | Wind Direction |
|------------|--------------------|--------------------------|
| Range | 0-60m/s (134 mph) | 0 to 359° - No dead band |
| Accuracy | ±2% @12m/s | ±3° @12m/s |
| Resolution | 0.01m/s (0.02 mph) | 1° |

Air Temperature

| | |
|------------------|-------------------|
| Air temperature | Pt100 1/3 Class B |
| Range | -35°C to +70°C |
| Accuracy | ±0.1°C |
| Resolution | 0.1°C (0.1°F) |
| Units of measure | °C or °F |

Relative Humidity

| | |
|--|-------------|
| Range | 0-100% RH |
| Accuracy | ±0.8% @23°C |
| Resolution | 0.1% RH |
| Units of measure | % RH |
| Compensated for temperature dependency | |

Barometric Pressure

| | |
|---|-----------------------|
| Range | 600-1100hPa |
| Accuracy | ±0.5hPa |
| Resolution | 0.1hPa |
| Units of measure | hPa, mbar, mmHg, inHg |
| Compensated for temperature dependency -20°C to +70°C | |

Dew Point

| | |
|------------------|---|
| Resolution | 0.1°C (0.1°F) |
| Units of measure | °C or °F |
| Accuracy | ±0.15°C (23°C ambient temp @20°C dew point) |

Free Software

| | |
|---------|-----------------------------------|
| MetView | Data logging and display software |
| MetSet | Configuration software |

Specifications may be subject to change without prior notice.

Power Supply

| | |
|---------------|-----------------------------------|
| Input voltage | 4.5V to 30V d.c. |
| Current | <26mA (Output 1 second) @12V d.c. |

SDI-12

| | |
|---------------|-----------------------------|
| Input voltage | 12 V nominal (9.6-16V d.c.) |
| Current | <12mA Low power operation |

Outputs

| | |
|-----------------|--|
| Digital outputs | RS232, RS422, RS485* or SDI-12 (user selectable) * 2 wire point to point |
| Baud rates | 9600-57600 (ASCII) or 1200 (SDI-12) |
| Protocols | ASCII or SDI-12 V1.3 |
| Data output | 1s, 2s, 4s or polled mode |

Inputs

| | |
|---------------------------|--|
| Analogue 1 | 0-5 V or 4-20mA loop or self powered |
| Analogue 2 | 0-5 V or 4-20mA loop or self powered |
| MetPak Pro A-D Conversion | 12 bit resolution with an accuracy of ± 0.1% of reading +35µV offset |
| Pt100 Temperature Probe | 4 Wire Pt100 conforms to IEC 60751 |
| Digital | Contact closure for tipping bucket rain gauge Capable of capturing events up to 10Hz |

Environmental

| | |
|-----------------------|---------------------|
| Protection class | IP65 |
| EMC | EN 61326 |
| Operating temperature | -35°C to +70°C |
| Storage temperature | -40°C to +80°C |
| Operating humidity | 0% to 100% humidity |

Mechanical

| | |
|-----------------------|--|
| External construction | UV stabilised white thermoplastic |
| Fittings | Gloss white painted aluminium mounting bracket (with moulded plastic V-block and stainless steel U-bolt), which allows attachment to a vertical pipe of any diameter between 25mm and 50mm |
| Weight | 1.1kg (including bracket) |



Gill Instruments Ltd
Saltmarsh Park
67 Gosport Street
Lymington
Hampshire
SO41 9EG, UK

T: +44 (0) 1590 613 500
F: +44 (0) 1590 613 555
E: anem@gill.co.uk

www.gill.co.uk



Copyright © Gill Instruments 2011

D220 - Iss 1

Gill Instruments Ltd

Reg No. 3154453 Registered Office: The George Business Centre, Christchurch Road, New Milton, BH25 6QJ